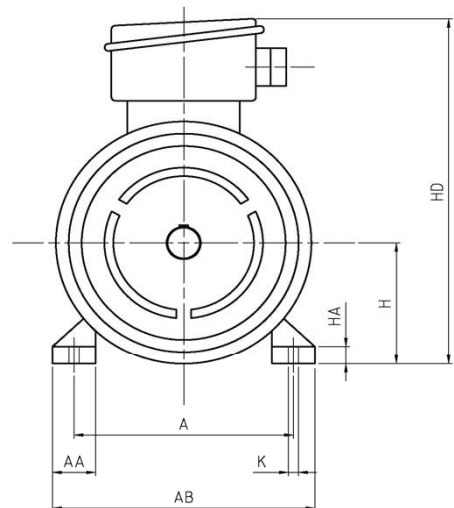
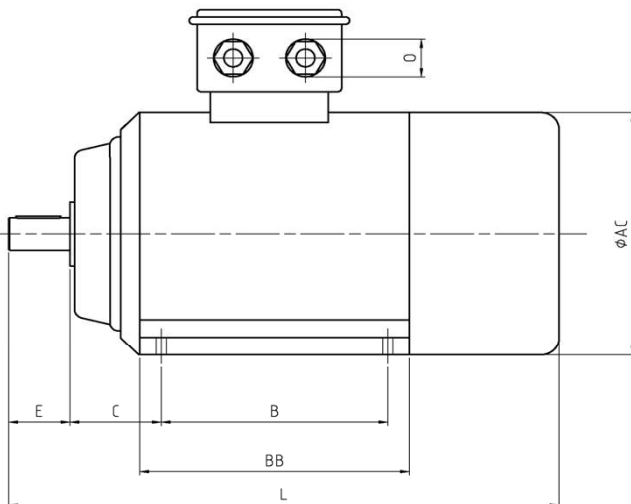


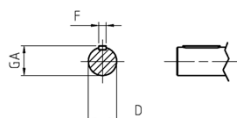
# E.M.C. Electrical Motors Company -- ITALY --

MOTORI ASINCRONI 3-FASE / MOTEURS ASYNCHRONES 3-PHASES / 3-PHASE INDUCTION MOTORS

<b>CONSTRUTTORE</b> CONSTRUCTEUR MANUFACTURER	E.M.C.	<b>GRANDEZZA &amp; TIPO</b> TAILLE & TYPE SIZE & TYPE	MS 132S6	<b>QUANTITA'</b> QUANTITE QUANTITY	1
<b>POTENZA NOMINALE</b> PUISSANCE NOMINALE NOMINAL POWER	3 kW	<b>VELOCITA'</b> VITESSE SPEED	960 Rpm	<b>POLI</b> POLES POLES	6
<b>TENSIONE</b> TENSION RATED VOLTAGE	400 V	<b>FREQUENZA</b> FREQUENCE FREQUENCY	50 Hz	<b>SERVIZIO</b> SERVICE SERVICE	S 1
<b>CORRENTE NOMINALE</b> COURANT NOMINAL RATED CURRENT	7,21 A	<b>COPPIA NOMINALE</b> COUPLE NOMINAL RATED TORQUE	30,00 Nm	<b>MOMENTO INERZIA ROT.</b> INERTIE ROTOR ROTOR INERTIA	0,02520 Kgm2
<b>SOVRATEMPERATURA</b> ECHAUFFEMENT TEMPERAURE RISE	B	<b>CLASSE ISOLAMENTO</b> CLASSE ISOLATION INSULATION CLASS	F	<b>TEMP. AMBIENTE</b> TEMP. AMBIANCE AMBIENT TEMP.	40 °C
<b>FATTORE DI POTENZA</b> FACTEUR de PUISSANCE POWER FACTOR	0,76	<b>RENDIMENTO</b> RENDEMENT EFFICIENCY	79 %	<b>RUMOROSITA' Lp</b> NOISE LEVEL Lp NOISE LEVEL Lp	90 dB(A)
<b>Ma / Mn</b> Md / Mn Ms / Mn	2	<b>Mmax / Mn</b> Mmax / Mn Mmax / Mn	1,9	<b>la / ln</b> ld / ln ls / ln	6,7
<b>FORMA COSTRUTTIVA</b> FORME MOUNTING POSITION	B 3	<b>PROTEZIONE IP</b> PROTECTION IP ENCLOSURE IP	55	<b>PESO</b> POIDS WEIGHT	48 kG
<b>TIPO CUSCINETTO</b> TYPE de ROULEMENT BEARINGS TYPE	→	<b>Lato Comando</b> Cote Bout d'Arbre Drive End Side	6308	<b>Lato Opposto</b> Cote Ventilateur Non Drive End Side	6308
<b>LUBRIFICAZ. GRASSO</b> LUBRIFICATION GRAISSE LUBRIFICATION GREASE	--	<b>ORE</b> HEURES HOURS	--	<b>RESIST. ANTICONDENSA</b> RESIST. de RECHAUFFAGE SPACE HEATERS	-- V -- W
<b>PROTEZIONE TERMICA</b> PROTECTION THERMIQUE THERMAL PROTECTION	---	<b>NORME</b> NORMES STANDARD	IEC	<b>VENTILAZIONE ASSISTITA</b> VENTILATION FORCEE' FORCES VENTILATION	-- kW -- P.s -- A



OUTPUT SHAFT



Note :

- 1) --
- 2) --
- 3) --

Plan Code	B	A	AA	BB	AB	AC	H	L	HA	HD	K	O	C	D	E	GA	F
MS 132S6	140	216	57	184	260	255	132	475	13	310	12	M 25	89	38	80	41	10

Motor Type	Kw	Rpm
MS 132S6	3	960

Preliminary Technical Sheet

Revision : 1 Agosto 2008

**MS 132S6**